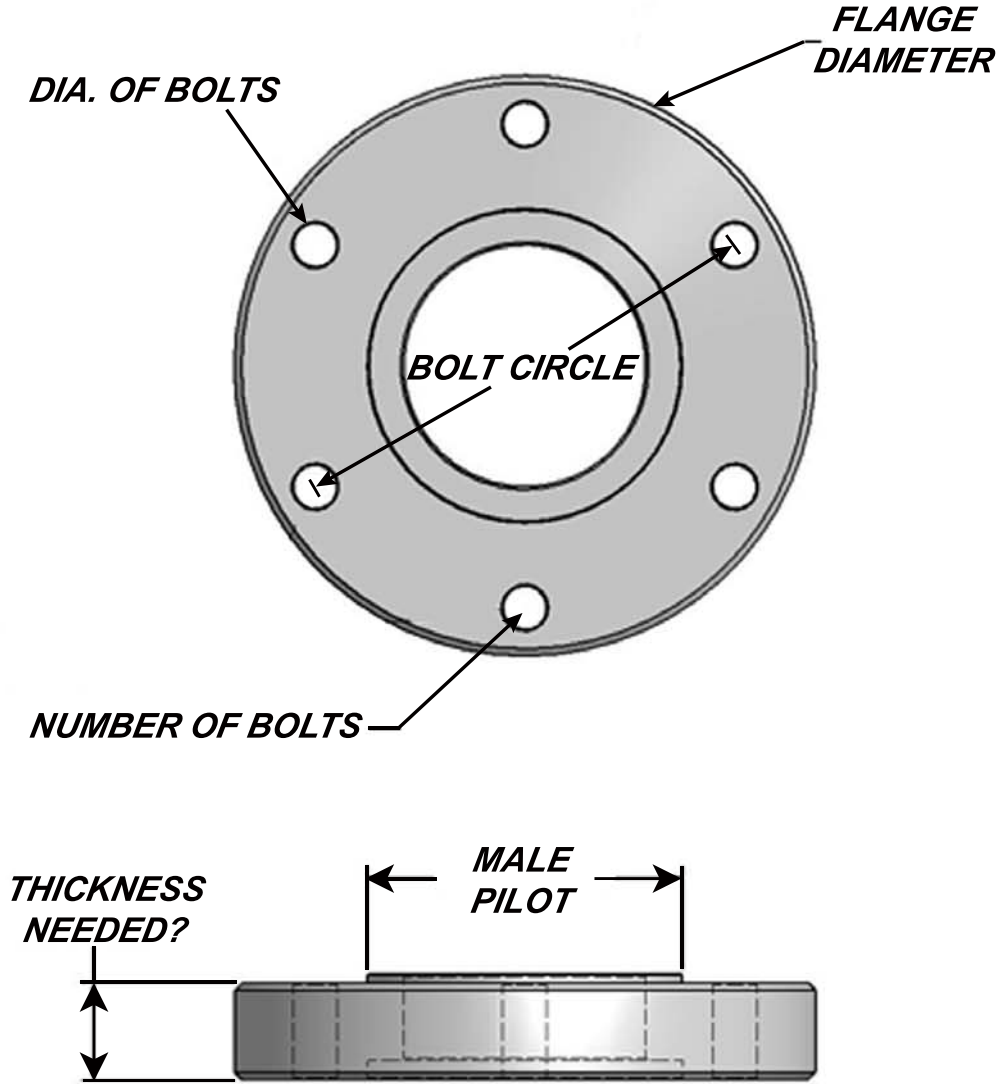


# SPURS®

Line & Net Cutters

201 SW 33rd Street  
FT. Lauderdale FL 33351  
Phone: 1-800-824-5372 Fax: (954) 525-0239  
E-mail: Spurs@spursmarine.com  
Website: www.spursmarine.com



Transmission Make: \_\_\_\_\_

Transmission Model: \_\_\_\_\_

Flange Diameter: \_\_\_\_\_

Pilot Diameter: \_\_\_\_\_

Bolt Circle Diameter: \_\_\_\_\_

Length Of Bolts When In Place: \_\_\_\_\_

Diameter Of Bolts When In Place: \_\_\_\_\_

Number Of Bolts: \_\_\_\_\_